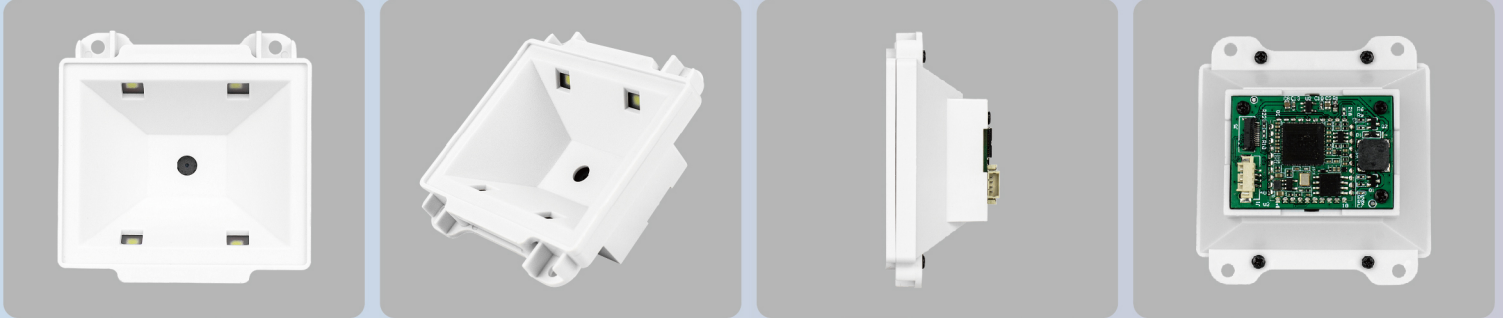


Specification of NT-1605



Model Description

Imaging Sensor	640×480 CMOS
Light Source	White Light LED *4
Symbologies	2D: QR Code, Data Matrix, PDF417, Aztec, Maxicode 1D: EAN, UPC, Code 39, Code 93, Code 128, UCC/EAN 128, Codabar, Interleaved 2 of 5, ITF-6, ITF-14, ISBN, ISSN, MSI-Plessey GS1 Databar, GS1 Composite Code, Code 11, Industrial 25, Standard 25, Plessey, Matrix 2 of 5
Precision	1D ≥ 3mil 2D ≥ 5mil
Depth of Field	EAN-13 50mm-200mm (13mil) Code39 40mm-90mm (5mil) QR Code on Screen 100mm-500mm (23*23mm) (23*23mm) QR Code 25mm-240mm (20mil) Data Marix 0mm-90mm (10mil) PDF 417 30mm-130mm (6.67mil)
Symbol Contrast	≥ 25%
Motion Tolerance	1D 70mm/s (code39_14), 90mm/s (code128_19) 2D 110mm/s (V7_L)
Scan Angle	Rotation 360°, Incline ± 55°, Deflection ± 55°
View Angle	D:52° H:42.7° V:32.4°

Physical Parameter

Interface	USB (HID-KBW, Virtual Serial Port) , TTL, RS232
External Dimension	61.5mm*65mm*32.5mm
Material	ABS
Cable Length	1M
Operating Voltage/Current/Power Consumption	DC 5V ± 5%/200mA /550mW
Standby Current	80mA

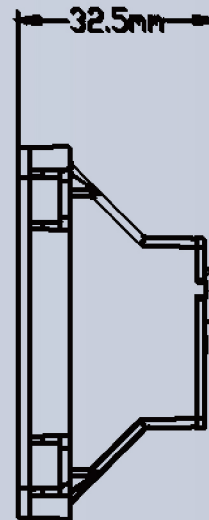
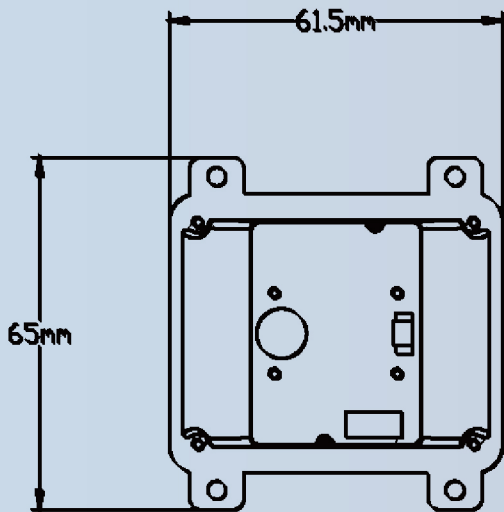
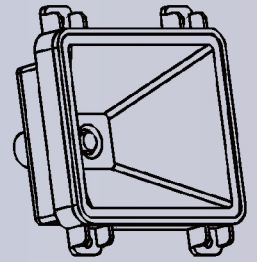
Environmental Parameter

Operation Temperature	-20°C~+50°C
Storage Temperature	-40°C~+70°C
Operation Humidity	5%~95%
Ambient Illumination	0~100,000LUX
Electrostatic Protection	Contact Discharge ± 8KV / Air Discharge ± 12KV
Drop Test	Withstand a drop of 1.5 meters to the concrete floor



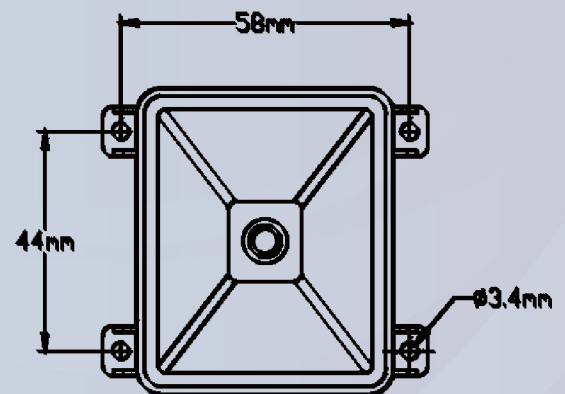
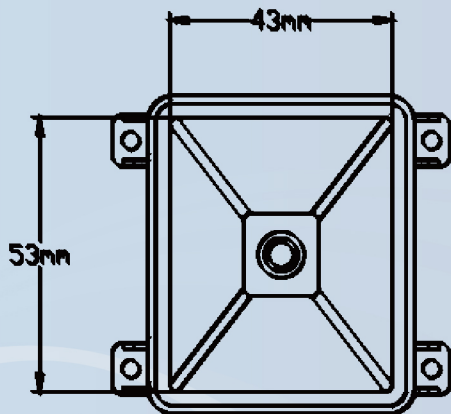
Dimension

L*W*H: 61.5mm*65mm*32.5mm



Scan Window: 53mm*43mm

CAD Hole Position:



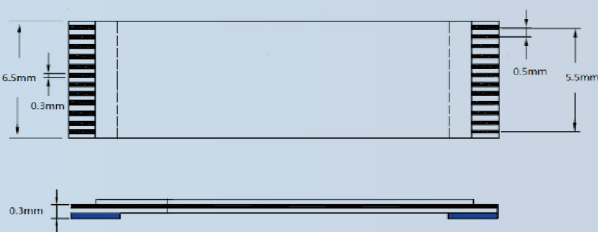
Module 12 pin interface definition and signal description

No.	PIN	Description
1	NC	
2	VCC	Power Input 5V
3	GND	
4	RXD	TTL Serial Port Reception
5	TXD	TTL Serial Port Transmission
6	DN	USB D-
7	DP	USB D+
8	NC	
9	BEEP	Buzzer Control
10	DLED	LED Indicating
11	Reserved	
12	TRIG	TRIG INPUT

Module 9 PIN connector (Pin spacing: 1.0mm)

No.	PIN	Description
1	TRIG	
2	DLED	LED Indicating
3	BEEP	Buzzer Control
4	DP	USB D+
5	DN	USB D-
6	TXD	TTL Serial Port Transmission
7	RXD	TTL Serial Port Reception
8	GND	
9	VCC	Power Input 5V

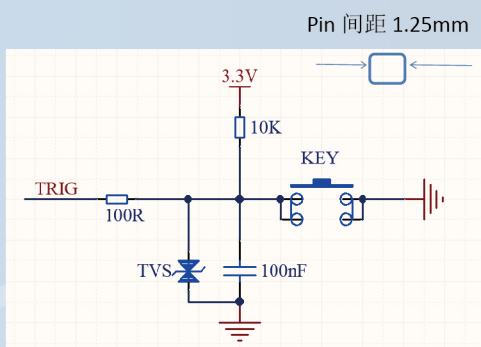
It is necessary to connect the peripheral with a 12 PIN straight and flat flexible cable at both ends for NT-1605.



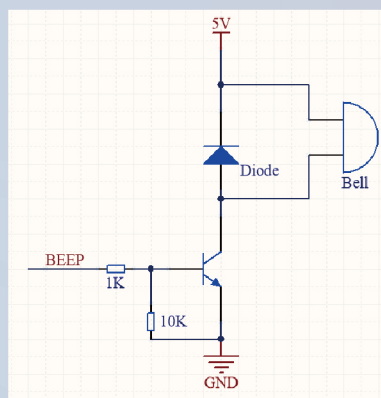
Dimension

The power supply, TTL level, USB and other pins of the module are directly connected to the external circuit. The trigger pins and buzzer pins need to drive the circuit, which can be designed as follows:

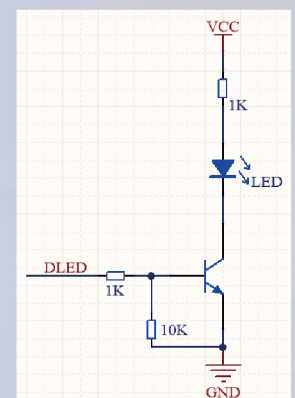
- Trigger PIN (TRIG)
Drive Circuit:



- Passive Buzzer PIN
Drive Circuit:



- DLED PIN
Drive Circuit:



When decoded successfully, the BEEP and DLED pin gave a high level pulse.

